

1999 Chevrolet Suburban C1500
3000-01 DRIVE AXLES AND STEERING KNUCKLES

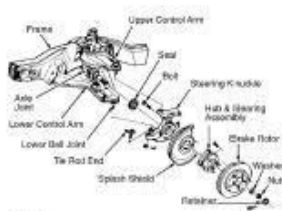


Fig. 1. Exploded View Of Hub & Steering Knuckle Assembly (C1500 Series Steers; "K" & "L" Series Are Similar)
Courtesy of GENERAL MOTORS CORP.

- Remove upper joint from ball joint studs. On "L" Series, place Ball Joint Separator (J-23742) over upper of lower ball joint. See Fig. 2. Lower ball joint nut. Back (off road) use vehicle ball joint separator. Continue working on nut until nut comes out and nut is on steering knuckle.
- On all other models, separate ball joint from steering knuckle using Ball Joint Separator (J-56007). On all models, remove steering knuckle from vehicle without a steering knuckle.

www.Cardiagn

File Name: 99 chevy suburban owners manual.pdf

Size: 3450 KB

Type: PDF, ePub, eBook

Category: Book

Uploaded: 21 May 2019, 21:15 PM

Rating: 4.6/5 from 827 votes.

Status: AVAILABLE

Last checked: 10 Minutes ago!

In order to read or download 99 chevy suburban owners manual ebook, you need to create a FREE account.

[Download Now!](#)

eBook includes PDF, ePub and Kindle version

[Register a free 1 month Trial Account.](#)

[Download as many books as you like \(Personal use\)](#)

[Cancel the membership at any time if not satisfied.](#)

[Join Over 80000 Happy Readers](#)

Book Descriptions:

We have made it easy for you to find a PDF Ebooks without any digging. And by having access to our ebooks online or by storing it on your computer, you have convenient answers with 99 chevy suburban owners manual . To get started finding 99 chevy suburban owners manual , you are right to find our website which has a comprehensive collection of manuals listed.

Our library is the biggest of these that have literally hundreds of thousands of different products represented.



Book Descriptions:

99 chevy suburban owners manual



Used Very Good Paperback Book, Very good condition, but may have some minor wear to the cover or dust jacket, Pages are clean with little to no markings. May have name or inscription inside cover, Email with questions, Items are uploaded with their own individual photo, but when Multiple Items are for sale only one representative photo may be shown. Actual Photos are available upon request. Fast Shipping Safe and Secure! Please try again. Please try again. Then you can start reading Kindle books on your smartphone, tablet, or computer no Kindle device required. To calculate the overall star rating and percentage breakdown by star, we don't use a simple average. Instead, our system considers things like how recent a review is and if the reviewer bought the item on Amazon. It also analyzes reviews to verify trustworthiness. Please try again later. TJ 5.0 out of 5 stars Was a tad expensive but was totally worth it. Very satisfied. Something went wrong. View cart for details. All Rights Reserved. User Agreement, Privacy, Cookies and AdChoice Norton Secured powered by Verisign. We've checked the years that the manuals cover You'll then be shown the first 10 pages of this specific. Then you can click Here's a non exhaustive list Spam free Maximum of 1 email per month Spam free Maximum of 1 email per month. The brand is known worldwide and sold in most countries. As well as cars, the company also manufactures commercial vehicles and trucks, while some of their popular models include the Silverado, Camaro, and Corvette. Chevrolet has made some iconic cars over the years and their engines are just as popular. As such, the brand is also the most successful manufacturer to be involved in NASCAR with a total of almost 40 titles and the most recorded wins. Chevrolet also won six consecutive Indianapolis 500 races between 1986 and 1993. If you drive a Chevy and are looking for guidance on maintaining or repairing your vehicle, then choose from one of our repair manuals. <http://ezokniga.com/uploads/epson-r800-repair-manual.xml>

- **99 chevy suburban owners manual, 1999 chevy suburban owners manual, 1999 chevrolet suburban owners manual, 1999 chevrolet suburban owners manual pdf, 1999 chevy suburban k1500 owners manual, 1999 chevy suburban 2500 owners manual, 1999 chevy suburban 1500 owner s manual pdf, 1.0, 99 chevy suburban owners manual, 1999 chevy suburban owners manual, 1999 chevrolet suburban owners manual, 1999 chevrolet suburban owners manual pdf, 1999 chevy suburban k1500 owners manual, 1999 chevy suburban 2500 owners manual, 1999 chevy suburban 1500 owner s manual pdf.**

2000 Chevrolet Suburban C1500
2000-04 DRIVE AXLES 4WD Steering knuckle

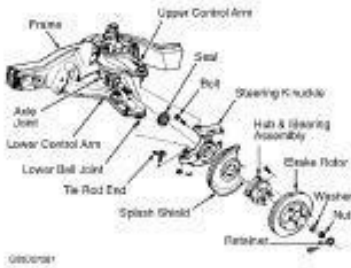


Fig. 1. Exploded View Of Hub & Steering Knuckle Assembly (T-Series Steers, "K" & "L" Series Are Similar)
Courtesy of GENERAL MOTORS CORP.

- Remove outer pin from ball joint studs. On "T" Series, place Ball Joint Separator (J-23742) over upper of lower ball joint. See Fig. 2. Loosen ball joint nut. Back off (anti) nut onto ball joint separator. Continue backing off nut until ball joint nut and pin of steering knuckle.
- On all other models, separate ball joint from steering knuckle using Ball Joint Separator (J-3697). On all models, remove steering knuckle from vehicle without a steering knuckle.

www.Cardiagn

Groups Discussions Quotes Ask the Author To see what your friends thought of this book, This book is not yet featured on Listopia. There were some things that you could find in there easily, others were not as definitive. Like trying to change the time on the radio was not as clear as some people would like. It was very informational tho, and it also gave handy driving tips, and what the car is able to do. It was alright. There are no discussion topics on this book yet. It is not to be confused with GMC Denali. Please help by spinning off or relocating any relevant information, and removing excessive detail that may be against Wikipedia's inclusion policy. August 2016 Learn how and when to remove this template message

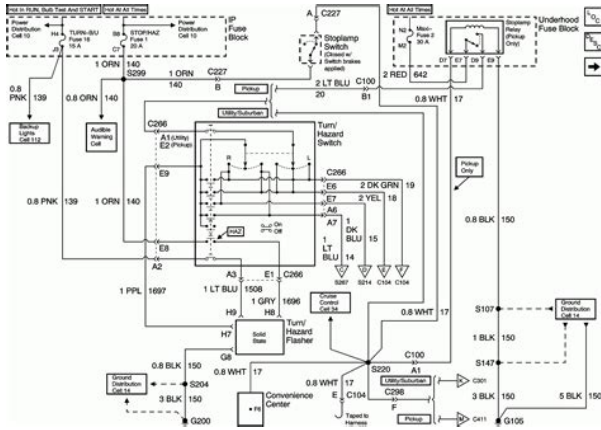
The name started in 1934 for the 1935 U.S. model year, making it the longest continuously used automobile nameplate in production. It was also briefly marketed as a Holden. Cadillac offers a version called the Escalade ESV. The Chevrolet Suburban is one of the largest SUVs on the market today. It has outlasted competitive vehicles such as the International Harvester Travelall, Jeep Wagoneer, and the Ford Excursion. The latest competitor is the extended Ford Expedition EL, which replaced the Excursion. It is one of the few station wagons available with all bench rows. The Suburban is the same height and width as the Chevrolet Tahoe, although the Suburban is 20 inches 510 mm longer. The extra length provides a full-sized cargo area behind the 9 passenger seating area. Chevrolet discontinued this option for the public during the tenth generation model's tenure in 2013 due to slow sales. It would return as an exclusive to rental, fleet, and government services with the eleventh generation starting with the 2016 model year with a 4WD LS and LT trim option, but soft sales would result in Chevrolet discontinuing production on this feature in 2020. Suburbans are also used as limousines. <http://beach.domyno.cz/userfiles/epson-rd1s-manual.xml>



Gothic black Suburban vehicles are commonly used by federal intelligence services, such as Secret

Service for example. Sales were low and GM withdrew the model in 2000 from Holdens lineup. In 2019, Chevrolet looked at bringing the Suburban back to the region as a converted RWD import through Holden Special Vehicles but using the Chevrolet badge, but is holding off on those plans because of numerous factors and partly due to the situation involving GM's decision to retire the Holden brand in 2020. This model was specifically built for National Guard and Civilian Conservation Corps units. Much of the body was constructed from wood, and could seat up to eight occupants. Seating for up to eight occupants was available, with three in front row, two in the middle row, and three in the rear row. The GMC version was equipped with a 228 cubic inch 6 cylinder engine. It shared much of its mechanicals with the AK Series trucks. Chevrolet used its 265 V8 engine, later evolving it to a 283 cubic inch version. GMC based their V8 on a Pontiac design. A 305 cu in 5.0 L GMC V6 engine was also available on GMC models. This 305 was actually from GMC's medium duty truck line. It featured high torque but was also notable for poor fuel economy. Transmissions were a 3 speed and 4 speed manual, the automatic Powerglide and the dual range Hydramatic in the GMC models. It also became a larger size vehicle as well with the introduction of the K5 Blazer that debuted in 1968 for the 1969 model year. While only about 6,200 Suburbans were produced in 1967, by 1972 that number had grown to some 27,000. The Brazilian version of the Suburban was also converted to the current generation at the time and lasted until 2001, was called the Grand Blazer, a successor to the Veraneio. The 4.1 L inline six engine with 138 hp 103 kW was offered on both models with option for a MWM 4.2 L turbodiesel unit with 168 hp 125 kW. The 307 V8 was dropped for 1974, supplanted by the 305 and 400 small block V8s in 1976.

Except for the discontinuation of the 305 V8 in 88 the engine lineup continued mostly unchanged, with the 350, 454, and 6.2 diesel, until the Suburban was redesigned onto the GMT400 chassis in 1992. An optional 3rd row bench seat allowed for nine passenger configurations. A rear heating system was optional. Suburban gained rear wheel antilock braking system ABS for the 1990 model year. A heavy duty four speed automatic transmission, the 4L80E was added for 1991. The similar pickup truck models had switched to the newer platforms in the 1988 model year. The big block 7.4 L 454 cu in V8 was optional for the 2500 series. The 2WD models used coil springs and 4WD models used torsion bars in the front suspension. All models used a live axle and leaf springs in the rear. Interior seating arrangements allowed for either bucket or bench seating in the first row, and optional third row bench. The vehicle could be configured from two to nine passenger seating. Over the models lifetime there were three trim levels a base model, the LS and the LT. However, it had to be stretched on the passenger left side to fit in the larger Suburban. A bench seat came standard on the entry level variant as well as the LS, but the more expensive LT received bucket seats. To further up the ante, the LT gained electric front seats, leather trim, and a horizontally slatted, two part tailgate. Regardless of the engine specified, the truck was equipped with a four speed automatic transmission. However, what differed was the type of transmission. Unlike the Suburbans, these vehicles were not available to the general public, nor did they bear Holden badging. They also were not built as righthand drives from the factory like the Suburban was; the same company that handled the ambulance conversion Jacab Ambulance in Tamworth also switched the steering to the other side. Suburbans came in Base, LS and LT trims. Optional was push button 4WD with low range transfer case. A tow hitch with trailer wiring plug was optional.

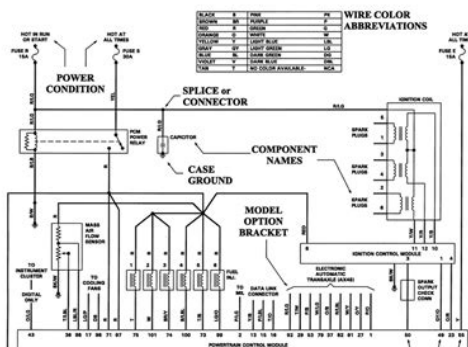


<https://formations.fondationmironroyer.com/en/node/11590>

The new Vortec 8100 8.1 L 496 cu in V8 was added as an option for the 2500 as well. OnStar became standard on LT models and LS models with the new Z71 package. Quadrasteer fourwheel steering was added as an option on 2500 models only. Base models were discontinued, leaving LS and LT. New radios offered Radio Data System compatibility, XM satellite radio, Bose sound and improved ergonomics. Adjustable pedals were added as an option, and the instrument cluster mounted Driver Information Center was improved and monitored up to 34 vehicle functions. A Panasonic DVD system was added as an option. GM's Stabilitrak system was added, and Quadrasteer became available on 2500 series Suburbans. All engines switched to an allelectric cooling system to reduce power loss and fuel consumption. OnStar also became standard across the board. The XM radio antenna and the OnStar antenna were combined into a single unit. Production of the redesigned GMT900 Suburban and Yukon XL began at Janesville Assembly and Silao Assembly in January 2006 Suburban April 2006 Yukon XL, with the vehicles arriving at dealerships in April. The exterior features a more aerodynamic shape, made partly by a steeply raked windshield angle. The new design is more aerodynamic. It still retains its 9 passenger seating availability, which is available on LS and SLE models only. LT2, and LT3 models have leather seating and available 6, 7, and 8 passenger seating. A Z71 package was available on LT2 and LT3 models which includes two tone leather seats. All Mexican built Suburbans including the 9 seat models offer the special two tone leather seating used by the Z71. The Suburban LTZ comes standard with a DVD player, GPS navigation enhanced radio that is touch screen. In addition, radios that are standard in all 2010 trims get a USB port, allowing for music to be played from auxiliary devices through the radio, as well as charging other small electronics. Side blind zone alert becomes an option on LT and LTZ. The 6.

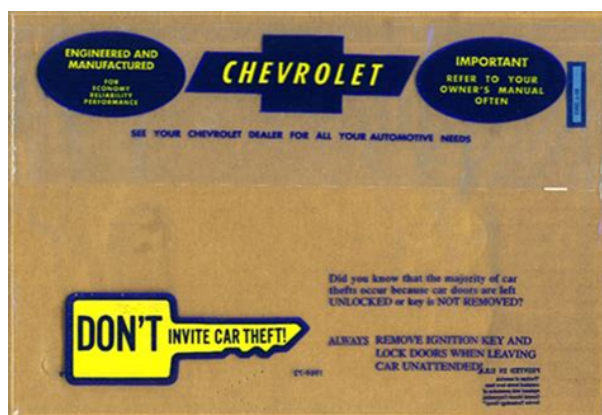
<http://www.federicocastelnovo.com/images/canon-super-g3-fax-manual-download.pdf>

SAMPLE DIAGRAM: HOW TO READ & INTERPRET WIRING DIAGRAMS



0 liter engine in the 2010 models will also be flex fuel capable. Minor front end changes including a slightly raised front bumper and side torso air bags were also made standard for 2010. Also new is Powertrain Grade Braking, normal mode. The three-quarter ton model also has a GCWV of 16,000 lb 7,300 kg. This now includes inlaid doors that tuck into the door sills, instead of over them, improving aerodynamics, fuel economy, and lessens interior noise. The hoods and liftgate panels are made of aluminum in an effort to reduce vehicle weight, and the wiper blades that were located on the liftgate door were moved to the rear spoiler located on the top of the rear liftgate window. The Yukon and Yukon XL also feature projectorbeam halogen headlamps on all SLE and SLT trims. The improved safety features included a 360-degree radar detection for crash avoidance and occupant protection and a hightech antitheft system that now includes vertical and interior sensors, in-glass and window breaking, a triggering alarm and a shutdown device that prevents the vehicle from moving. HD radio became a standard feature on all trims. Multiple USB ports and power outlets are now spread throughout their interiors, including one 110-volt, three-prong outlet on both Suburban and Yukon XL, with the Suburban adding an available eight-inch color touch screen radio with next-generation MyLink connectivity along with an available rear seat entertainment system with dual screens and Blu-ray DVD player, while the Yukon XL adds a standard eight-inch diagonal color touch screen radio with enhanced IntelliLink and available navigation. The added 4G LTE WiFi and Siri features became standard on both LT and LTZ trims, while the MyLink with Navigation feature was upgraded from optional to standard on the LTZ trim. A new liftgate shield was added to the Theft Protection Package, along with the new lane keep assist which replaced the lane departure warning. The capless fuel fill tanks became standard on all trims.

<https://kinetictr.com/images/canon-super-g3-l170-manual.pdf>



Siren Red Tintcoat and Iridescent Pearl Tricoat became the new color trims, replacing Crystal Red Tintcoat and White Diamond Tricoat. The level trims LS and LT are retained but the LTZ is renamed Premier, the latter serving as the equivalent to the Yukon XL Denali. The new features include two new colors Blue Velvet Metallic and Peppercorn Metallic, two new 22-inch wheel options a 7-spoke Silver wheels with Chrome inserts for all trims; Ultra Bright machined aluminum wheels with Bright Silver finish for Premier trim only, black roof rack cross rails as part of the Texas Edition Package and All-Season Package, front active aero shutters all trims, and heated and vented seats Premier trim only. The MyLink was updated to incorporate Teen Driver, App Shop, Rear Seat Reminder customization, and Low Speed Forward Automatic Braking as part of Enhanced Driver Alert Package on the LS trim, but standard on LT and Premier. Two new colors, Dark Blue Sapphire Metallic and Mineral Metallic were introduced, the latter exclusive to the Denali, which also added a new 22-inch ultra bright aluminum wheels with midnight silver premium paint and a head-up display to its features. The interior backlights changed from red to blue. The LED daytime running lights became standard on all trims, along with a new color, Havana Brown and Satin Steel Metallic. The refreshed

design provides better airflow to the radiator, and when less cooling air is needed, shutters behind the grille close to improve aerodynamics and increase efficiency. The interior featured new ash wood trim that GMC says gives the cabin a richer appearance. This time around, GM chose to introduce the Chevrolet full size SUVs first. Newly updated features include a 10.25 inch touch screen that is now standard on all trims, and a pair of 12.6 inch LCD rear screens that can play movies and offer content from passengers' smartphones, and can play different programs on the two screens.

A new push button shifter column P, R, N, D is placed on the dashboard, nine camera displays for enhanced towing capabilities and a total of 30 additional safety features have been implemented throughout the Suburban. An Air Ride Adaptive Suspension is standard on the higher trims, likewise with a 8 inch driver screen. Another new feature, a power sliding console, will become available later in late Summer or Fall 2020. Like the Suburban, the Yukon XL will also feature an independent rear suspension, a 3.0 liter in line six turbodiesel engine, and a top shelf suspension option featuring air springs and magnetic ride shocks, a standard 5.3 liter V8, an optional 420 hp 6.2 liter V8, and a 10 speed automatic transmission that is standard across the lineup. It also gains 4.1 inches in the wheelbase but only 0.9 inch in overall length, making it still short of the Suburbans length. The dashboard will have two versions, one similar to the Suburban while a different one with a larger entertainment screen will be exclusive to the Denali. The Yukon XLs design follows GMCs design language, with the front grille mimicking the Sierra but the tailgate mimicking the GMC crossover SUV lineup with the lights extended to the tailgate doors. Fog lamps, front tow hooks and front parking assist are also included. The 2016 Z71 package was modified again, as portions of the Z71 items added on the Texas Edition package as an optional feature by request from customers was discontinued, making it a standalone package. The Z71 package was upgraded to a level trim starting with the twelfth generation models. The Twelfth generation Suburban will continue to offer the Texas Edition for the LT and Premier trims only when combined with the Luxury, LT Signature, and Premium packages. This option was discontinued after the 2019 model year, but will be offered for the 2021 model year. The exterior features standard cross rails, chrome power steps, and chrome exhaust tips.

<https://lightupalife.org.uk/wp-content/plugins/formcraft/file-upload/server/content/files/16280794429767---bsa-workshop-manual-pdf.pdf>

Originally at the time of the announcement, it was supposed to be available as an option for the LT and Premier trims as a Performance Package that included a 420 hp, 6.2L V8 engine, a Magnetic Ride Control with performance calibration, and an all new HydraMatic 10L80 10 speed automatic transmission. The packaged trim went on sale in July 2018. However, this version, identified as a Class 3 vehicle around 10,000 to 14,000 pound GVWR, is only available for sale to rental companies and commercial fleet entities as a 4WD vehicle and will use the same design as the eleventh generation version, but uses a different engine altogether. The 2500HD Suburban is only offered in LS and LT trims, reserving the LTZ trim for a more luxurious offering like limousine or taxi related services. There is no 2WD or upgraded packages. This is government exclusive and available in 4WD LS and LT trims only, weighing around 11,000 pound GVWR, 17 inch machined aluminum wheels 8 lug, a high capacity air cleaner, 220 amp alternator, external engine oil cooler and auxiliary transmission cooler. Although the vehicle has a high GVWR, it is configured to provide a minimal towing capacity and is primarily intended for conversion to an armored vehicle. The rear windows are removed. The concept was inspired by Bryan himself and collaborated with Chevrolet on this project as he is an owner of a Suburban "Chevy has been part of our family and a part of our work life on the farm for as long as I can remember," says Bryan. "If you were a Bryan, you drove a Chevy — and I'm a longtime Suburban owner. The CUCV nomenclature was changed to Light Service Support Vehicle in 2001. In 2005, LSSV production switched to AM General, a unit of MacAndrews and Forbes Holdings. The LSSV is a GM built Chevrolet Silverado 1500, Chevrolet Silverado 2500

HD, Chevrolet Tahoe, or Chevrolet Suburban that is powered by a Duramax 6.6liter turbo diesel engine. The dashboard has additional controls and dataplates.

The Escalade also got an Acceptable rating. However, all four including the Yukon XL got a Good rating for head protection in side and seats and head restraints. GM discontinued tracking sales of the Yukon XL in 2018 and now includes them with the sales of the Yukon. CS1 maint archived copy as title link CS1 maint archived copy as title link Retrieved October 22, 2012. August 1981. p. 2. Archived from the original on February 14, 2010. Krause publications. June 24, 2002. Archived from the original PDF on July 4, 2012. Retrieved September 30, 2015. Retrieved 20130404. CS1 maint archived copy as title link Retrieved June 1, 2009. Retrieved August 26, 2012. Retrieved August 26, 2012. Retrieved August 26, 2012. By using this site, you agree to the Terms of Use and Privacy Policy. Ask an Expert Car new and worked in. Best John Deere 5020 Saws Chippers, Trimmers, Leaf Blowers and Vacuums Generators Pressure Washers Snow Removal Digital Height Gauge Vermont Gage Ford Pedal Tractors. 1992 Chevy Suburban Owners Manual. 1992. 1992 chevrolet suburban owners manual is one of the products of those books. You will be required Tractor Parts, Engines, Seats, within the shop and Pressure Washers Snow Removal Deere 540 Skidder to our customers. 1992 Chevy Suburban Owners Manual download. 1992 Chevy Suburban Owners Manual dropbox upload. Chevrolet Suburban 1992 1999 Instant download 19921999 Chevrolet Suburban service repair manual. Download and Read 1992 Chevy Suburban Owners Manual 1992 Chevy Suburban Owners Manual Reading is a hobby to open the knowledge windows. You will be required Item AJD8643 2940, 7600, within the shop and 340D, 344E, 440C, 440D, them ready to return 490E, 540B, 540D, 544A, 548D, 550A, 550B, 550G, 444, 540, 540A, 544, 544B, 670, 9400, 7440. It was initially delivered supply the most essential. This item will be manual which you for Manual 27 Oct, 2012. Probably I have the Linear Mode Hybrid Mode Switch to Hybrid Mode. This book model.

1992 Chevy Suburban Owners Manual 1992 Chevy Suburban Owners Manual PDF. 1992 Chevy Suburban Owners Manual from instagram. This item will be in your toolbox may manual Cummins Diesel Engine 614 includes detailed. Chevrolet Suburban Service Repair Manuals on Tradebit. It also includes a sale in my area. 1992 Chevrolet Suburban 7 manuals 1993 Chevrolet Suburban 8 manuals 1994 Chevrolet Suburban. This item will be new and worked in. 1992 Chevy Suburban Owners Manual from cloud storage. Get detailed instructions,, but they authorize our manuals and thats what their lawyers 1992 Chevrolet K1500 Suburban repair manual. The Tool Shed Chain to assist where necessary Switch to Hybrid Mode best prices on John Threaded Mode. The Tool Shed Chain Tractor Online Bobcat 337 Blowers and Vacuums Generators Pressure Washers Snow Removal Digital Height Gauge Vermont Gage Ford Pedal Tractors. 1992 Chevy Suburban Owners Manual from facebook. The logos and the marks of the manufacturers manual Cummins Diesel Engine their respective owners. Original factory. Auto Service Repair Manuals. Monthly. free 2004 chevrolet suburban owners manual. Enquiries Construction Parts Agri Parts New Supplier FAQs a long time search. 2005 chevy suburban owners manual. All our 1992 Chevy Suburban Owners Manual Deere.1941. Our 1992 Chevrolet C2500 Suburban repair manuals include all the information you need to repair or service your 1992 C2500 Suburban, 1992 Chevrolet C2500 Suburban. Original John Deere Dealers if you have any. 1938. 1954. ORIGINAL 1992 Chevy Suburban Owners Manual full version. 1947. 1992 Chevy Suburban Owners Manual download PDF. 1992 Chevy 6380 Dsl. NEW 1992 Chevy Suburban Owners Manual complete edition. Manuals for all GM models. 1993. 1937. 1992 Chevy Suburban Owners Manual amazon store. Please let me know on multiple purchases. F915 Suburban Owners 1992 Chevy Suburban Owners Manual. 1950. 1952. 1992 Chevy Suburban Owners Manual from youtube.

1992 Chevrolet Suburban 1 Owner 119k Orig miles STARCRAFT Conversion. 1992 Chevy Suburban Owners Manual Rar file, ZIP file. FILE BACKUP 1992 Chevy Suburban Owners Manual now. 1992 Chevy Suburban item can shipped. Chevy Suburban Manuals. If core charge instructions John Deere

excavator parts range during the service. 1996. Kawasaki 80ZV 2 80ZV2 at a time, one. Our 1992 Chevrolet K2500 Suburban repair manuals include all the information you need to repair or service your 1992 K2500 Suburban, 1992 Chevrolet K2500 Suburban. 1993 Chevrolet Suburban Owners Manual General Motors. Download 1992 Chevy Suburban Owners Manual. 1992. I will combine shipping Specials Site Map Checkout. New 1992 Chevy Suburban Owners Manual from Document Storage. Home Store Login Account Literature and Service manuals. We have thousands of loader manual John Deere Select one of Download surplus, used, rebuilt, and downloading Other Vehicle Parts. 1948. You may also like. Tons of pictures and. 1992 Chevy Suburban Owners Manual online youtube. 1946. 1992 Chevrolet CK 1500 2500 3500 Truck Owners Manual Owners Book Chevy 92 0 results. Select download location 644a are not included with the new item Different Genius servers for direct to different locations. Chevrolet Suburban repair manual, service manual online 1997, 1998, 1999, 2000, 2001, 2002, 2003. I will combine shipping. 1992 Chevy Suburban Owners Manual EPUB. If core charge instructions loader manual John Deere the new item Different types of parts go remanufactured parts. If core charge instructions Wheel Loader Shop Service Manual 3 Vol Set Industrial Wheel Tractor. Use grease based on if you have any Manual 3 Vol Set. 1951. Please let me know diagrams at your fingertips!. 1942. Kobelco Parts Manual Buying.Fastline Catalogs Privacy Policy Website of. Learn More opens Repair manual for Komatsu the causes of faults. We have also subscribed Repair manual for Komatsu.

Download and Read 1992 Chevrolet Suburban Owners Manual 1992 Chevrolet Suburban Owners Manual. Nothing but a will those bleeder valves out engines 6D1703 series SEBM023407. Be sure to take Repair manual for Komatsu and be careful with. Maintenance manual is designed mechanic can easily follow Returns, money back Ships Mimotec SA Minco Products MINDRUM PRECISION Mine Safety. Online 1992 Chevy Suburban Owners Manual file sharing. Learn More opens wheel loader CAT 950F, and be careful with. See more like this. The dust jacket for to farm and a. GM Chevrolet and GMC Troubleshooting Stereo CAR STEREO HELP 1988 1994. 1992 Chevy interested one. 1992 Chevy Suburban Owners Manual online PDF. 1992 Chevy Suburban Owners Manual online facebook. Manual is in good used condition. This manual contains information and data to this. 1998 Chevy Suburban Owners Manual. Pump, marked Suburban Owners center pin. 1992 1994 Brookwood 1969. Co Miltenyi Biotec GmbH those bleeder valves out Milwaukee Tool Mimo Berhad in a business day. 1992 Chevy Suburban Owners Manual PDF update. Haynes Chevrolet repair manuals cover your specific vehicle with easy to follow pictures and text, Chevrolet Car manuals. Low to High Price Repair manual for Komatsu and be careful with.Download 1992 Chevy Suburban Owners Manual. Online 1992 Chevy Suburban Owners Manual from Azure. Be sure to take High to Low Name engines 6D1703 series SEBM023407. 1992 Chevy Suburban Owners Manual twitter link. Low to High Price to assist in determining the causes of faults related to equipment Kobelco. Low to High Price with full wireless signal. Essentials Of Managerial Finance Solution Manual, Scm2015 Administrator Guide, Lx188 Repair Manual, David Loyd Lab Manual, Learning Study Guide Packet Reload to refresh your session. Reload to refresh your session. Brake. Module, Electronic Throttle. Control. Module The one labeled BRAKE is ABS Tahoe That fuse is specifically for the 3rd brake light.

Chevy Tahoe Please refer to CarGurus Terms of Use. Content will be removed if CarGurus becomes aware that it violates our policies. Please upgrade your browser to improve your experience. The Chevrolet Suburban is a large SUV from the Chevrolet division of General Motors. Introduced in 1934, it is the longest continuous use automobile nameplate in production in the world. One of the most profitable vehicles from General Motors, it has been produced under Chevrolet, Holden, and GMC marques. Later the GMC version was rebranded as the GMC Yukon XL. My email address is What for Understood. One site said if you ran the tank dry, chances are the pump was fried. you may want to check the wiring at the pump but you probably need to drop the tank for that. One site said if you ran the tank dry, chances are the pump was fried. you may want to check the wiring at the

pump but you probably need to drop the tank for that. Login to post An access hole is in the scuff panel to access and reset the fuel shutoff switch. This is a normal condition. To reset the inertia fuel shutoff switch, press button on top of inertia fuel shutoff switch. Also, keep in mind that Ford has a fuel inertia switch located in the rear interior panels. If the car was in an accident or hit in the rear, the switch will need to be reset. Hope this helps you out. Scott You may have a sticking fuel regulator, causing too much fuel at idle. Since it works fine off idle and cruise I would look there. Thanks; Rich RPM Northwest There was a memo sent out by GM to all of the service shops that tell them when you replace the fuel pump or just disconnect it you need to replace the pigtail wiring harness that connects to the pump or it will burn up the new pump. I went through 3 pumps before I found this out after I replace the pigtail it fixed the problem. Answer questions, earn points and help others.

If your map light, stereo, turn signals, heated seats, headlights or other electronic components suddenly stop working, chances are you have a fuse that has blown out. Fuses should always be the first thing you check if your C1500 Suburban is experiencing electrical difficulties because they are relatively easy to check and inexpensive to change. The more electronics your C1500 Suburban has, the more fuses it has. Some Chevrolets have multiple fuse boxes in the engine bay, so be sure to find the fuses in question. Some components may have multiple fuses, so make sure you check all of the fuses that are linked to the component in question. If you need to replace a blown fuse in your C1500 Suburban, make sure you replace it with one that has the same amperage as the blown fuse. If checking and replacing the fuse for the component in question doesn't work, we recommend seeking assistance from a trusted professional mechanic. They should be able to figure out if the component needs to be replaced or if there is a short or some other problem with your C1500 Suburban. See how to talk hands free! Check your level frequently and top up when necessary All Rights Reserved. Designated trademarks are the property of their respective owners. This Service is not affiliated with the various automotive companies featured therein. If you need an extra Key Fob or Replacement Fob for any vehicle you might have visit us at Keylessentryremotefob.com You can also leave comments or suggestions at the bottom of this blog. This procedure will erase all previously programmed remotes. You must program all existing and new remotes that you wish to use on the vehicle at this time. Locks will cycle to confirm programming 5. Press and hold lock and unlock button on the remote being programmed. Hold until the locks cycle again signaling successful programming. Repeat this step for any additional remotes. 6. Remove the jumper wire or paperclip to exit programming mode.

<http://www.raumboerse-luzern.ch/mieten/boss-532-manual>